

40 U

Elscheman utan automatisk reversering

Electric diagrams – without automatic reverse

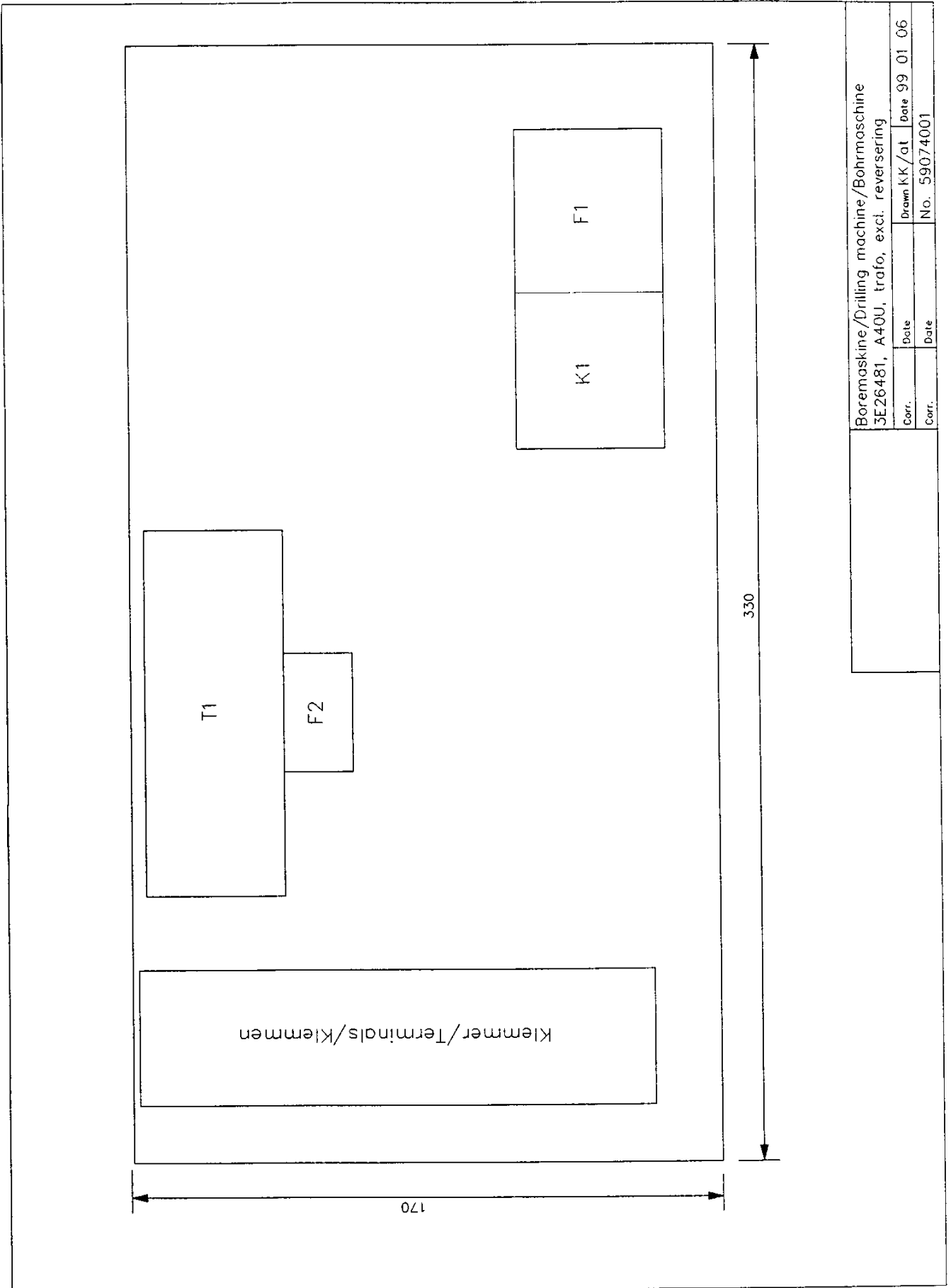
Schaltpläne – ohne automatische Drehumkehr

Machinery Scandinavia AB

SE - 570 83 Rosenfors, Sweden

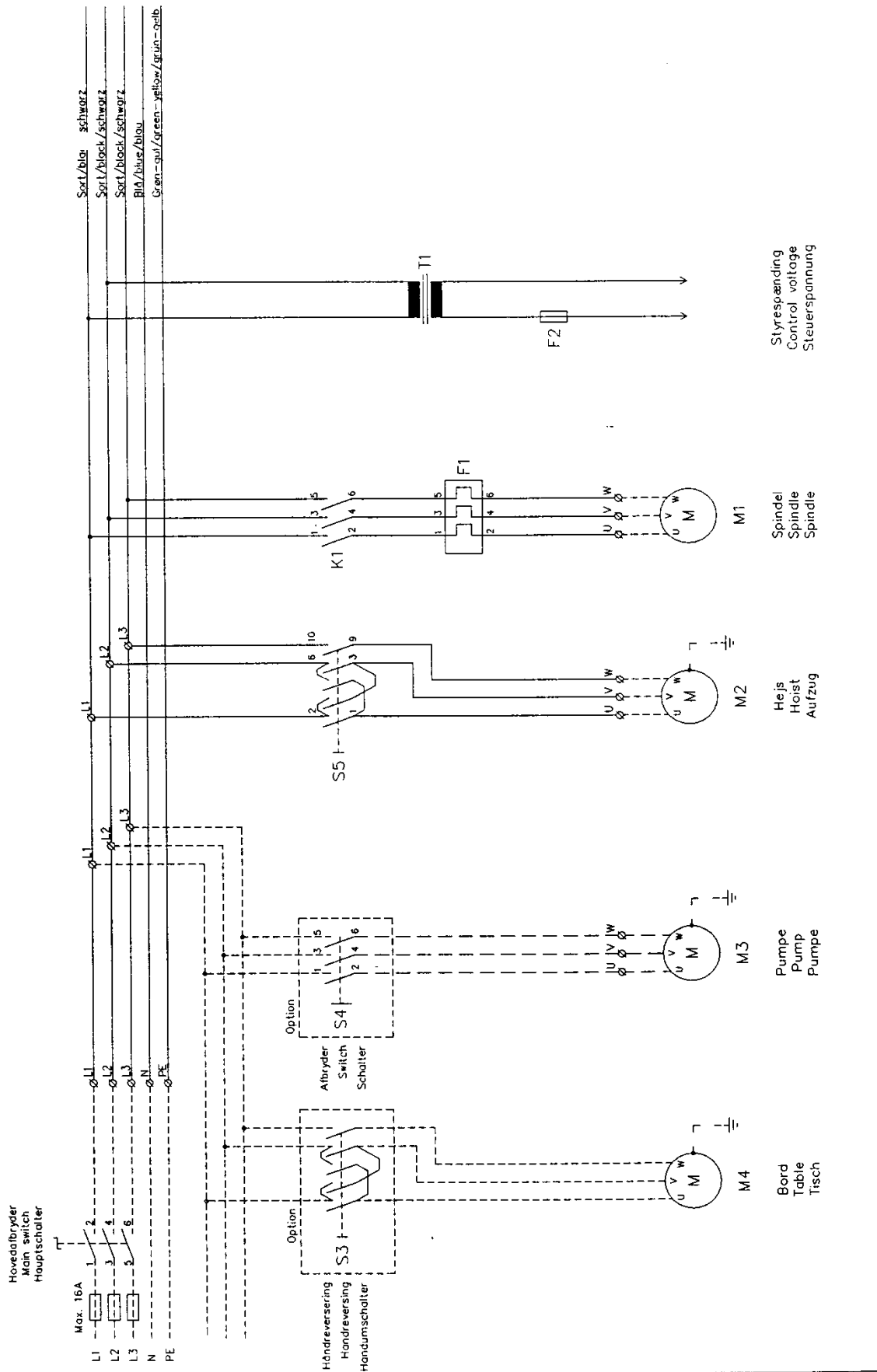
Tel +46 (0)495 497 00, fax +46 (0)495 207 30

Email: sales@mscab.se, URL: www.mscab.se

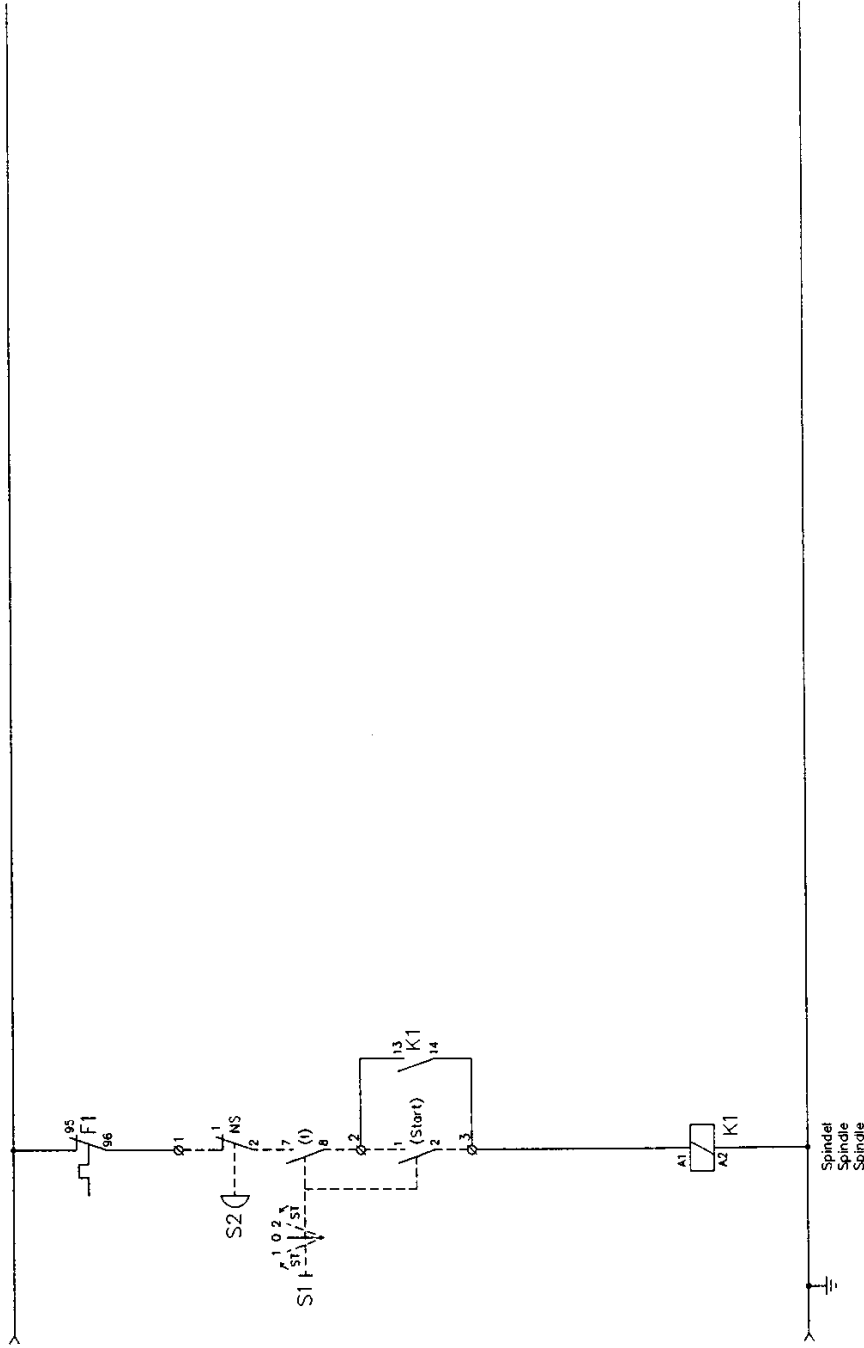


Boremaskine/Drilling machine/Bohrmaschine
 3E26481, A40U, trafo, exci. reversing

Corr.	Date	Drawn KK/at	Date 99 01 06
Corr.	Date	No. 59074001	



Boremaskine/Drilling machine/Bohrmaschine 3E26481, A40U, trafo, excl. reversering	
Corr.	Drawn KK/at
Date	Date 99 01 06
Corr.	Ng. 59074201

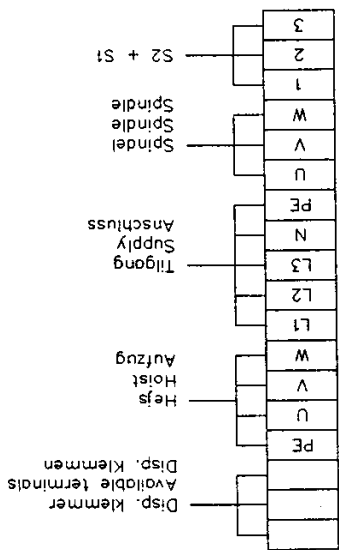


Spindel
Spindle
Spindle

A.C. = Red/red/rot
D.C. = Blq/blue/blau

YY = Terminalnr.
Terminal no.
Terminal nr.

Boremaschine/Drilling machine/Bohrmaschine			
3E26481, A40U, trafo, excl. reversering			
Corr.	Date	Drawn Kk/at	Date 99 01 06
Corr.	Date	No.	59074701



Boremaschine/Drilling machine/Bohrmaschine
 3E26481, A40U, trafo, excl. reversing

Corr.	Date	Drawn KK/at	Date 99 01 06
Corr.	Date	No. 59074301	

