

SPARES

for

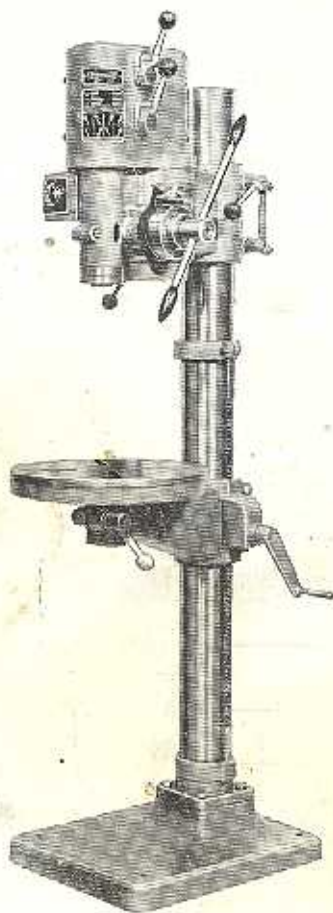
S-53

DOG CLUTCHES

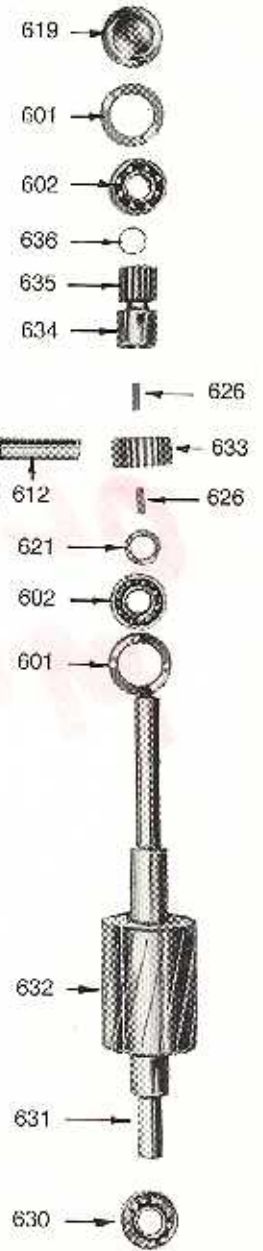
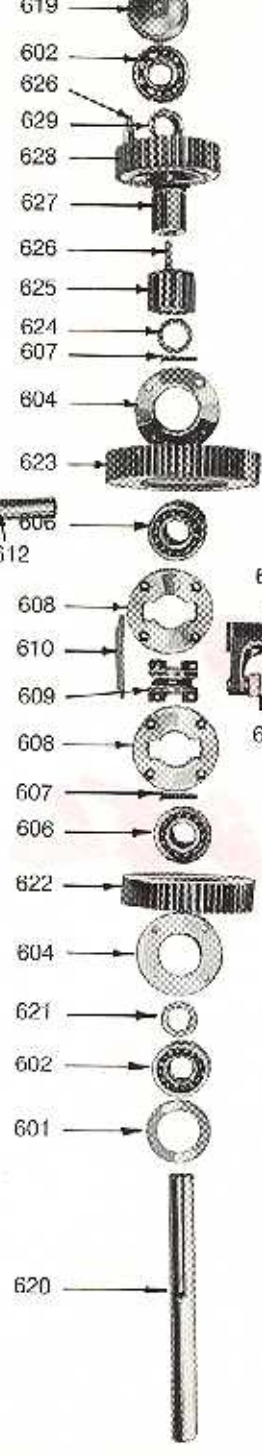
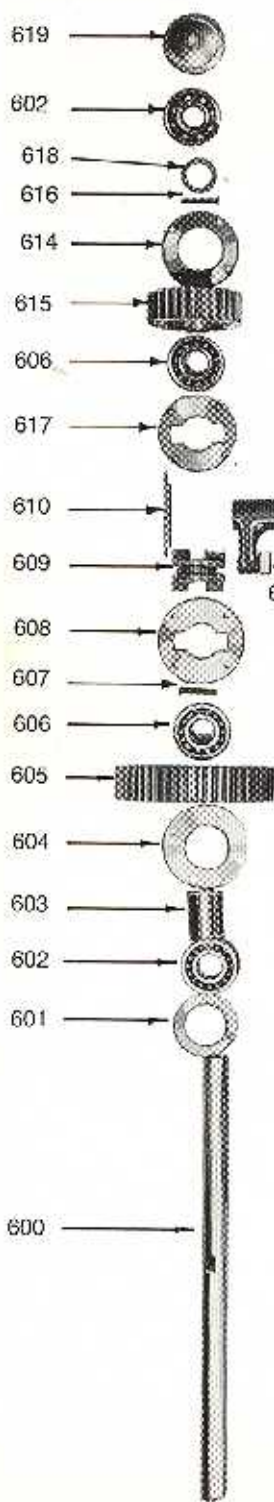
600 - 646

900 - 953

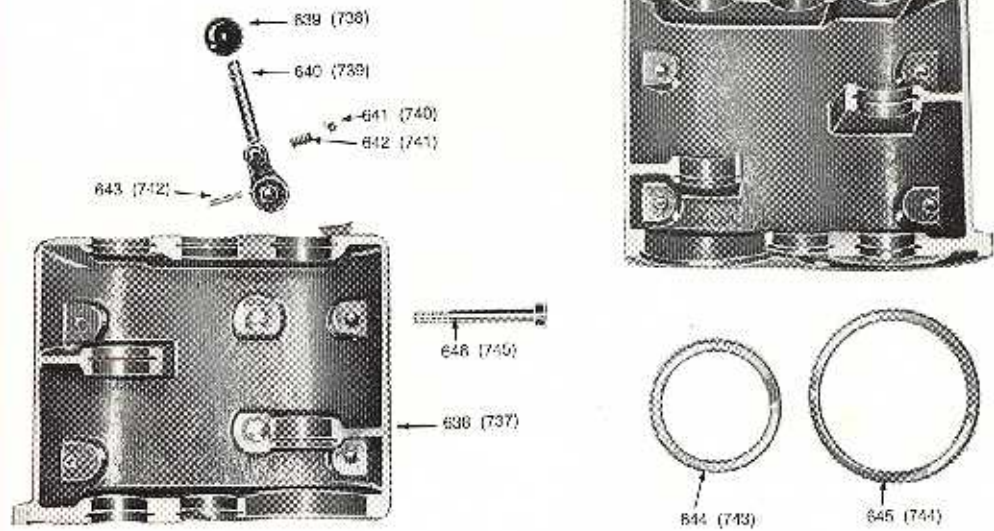
1000 - 1029



A.B.
STRANDS
M/FN VERKSTAD
ROSENFORS
SWEDEN



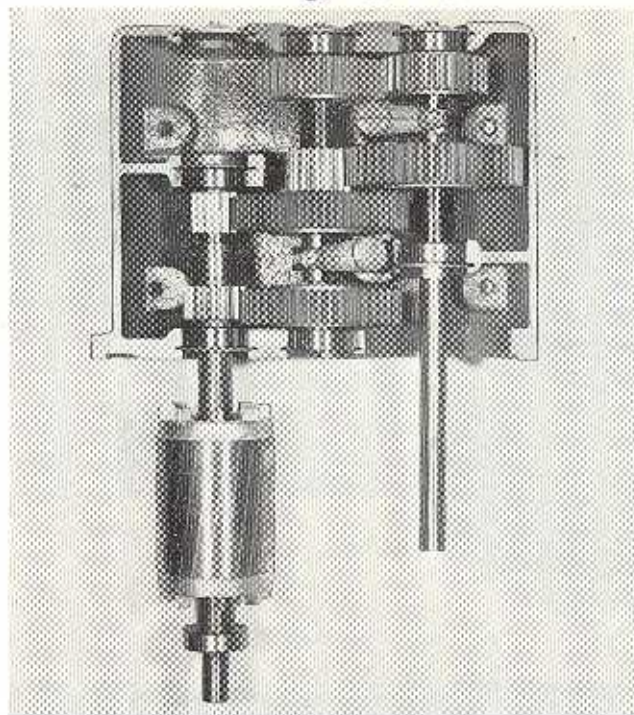
3-3 J



GEAR BOX

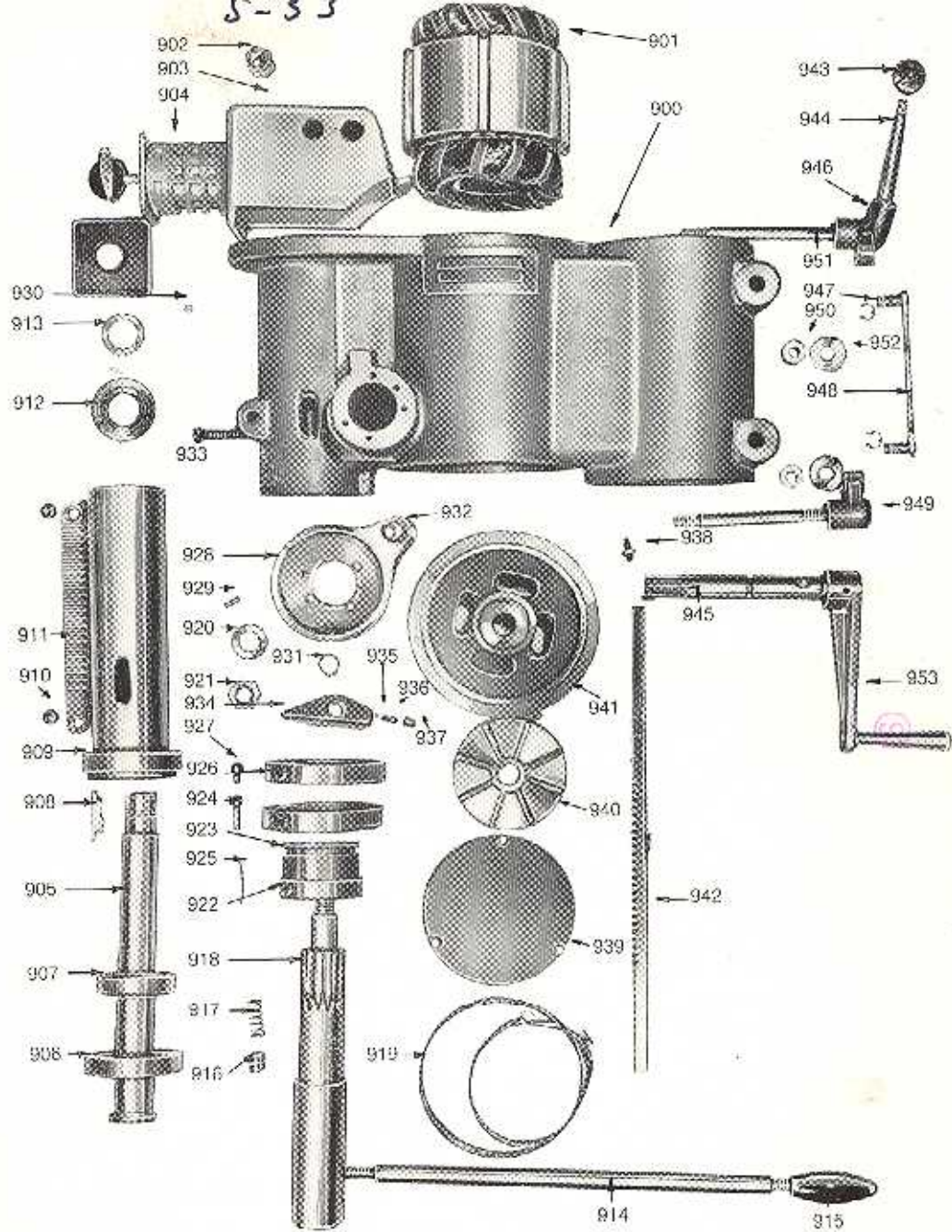
- 600 Spindle shaft
- 601 Guide ring
- 602 Ball bearing 6203
- 603 Distance ring 34 mm
- 604 Rivet washer 60 mm
- 605 Gear wheel 51 Z fibre
- 606 Ball bearing 4203
- 607 Rivet 4 mm
- 608 Clutch plate
- 609 Clutch shoulder
- 610 Insertion wedge 44 mm
- 611 Guide seal
- 612 Gear lever shaft
- 613 Clutch yoke
- 614 Rivet washer 54 mm
- 615 Gear wheel 30 Z steel
- 616 Rivet 3 mm
- 617 Clutch plate 54 mm
- 618 Distance ring 3 mm
- 619 Cover with grease fitting
- 620 Intermediary shaft
- 621 Distance ring 5 mm
- 622 Gear wheel
 - 46 Z fibre, 100-1360 revs.
 - 34 Z .. 105-3020 ..
 - 34 Z .. 250-2930 ..
- 623 Gear wheel
 - 68 Z fibre, 100-1360 revs.
 - 68 Z .. 105-3020 ..
 - 40 Z .. 250-2930 ..
- 624 Distance ring 3 mm
- 625 Gear wheel 16 Z steel
- 626 Insertion wedge 20 mm
- 627 Distance ring 29 mm
- 628 Gear wheel 37 Z fibre with bushing
- 629 Distance ring 4 mm
- 630 Ball bearing 6203 2 RS
- 631 Motor shaft
- 632 Pitor
- 633 Gear wheel
 - 17 Z steel, 100-1360 revs.
 - 29 Z .. 105-3020 ..
 - 29 Z .. 250-2930 ..
- 634 Distance ring
 - 36 mm, 250-2930 revs.
- 635 Gear wheel
 - 16 Z steel, 100-1360 revs.
 - 16 Z .. 105-3020 ..
 - 23 Z .. 250-2930 ..
- 636 Distance ring
 - 2 mm, 100-1360 revs.
 - 2 .. 105-3020 ..
 - 2 .. 250-3020 ..
- 637 Gear box, left part
- 638 Gear box, right part
- 639 Machine ball 25 mm
- 640 Gear control lever
- 641 Steel ball
- 642 Spring
- 643 Clamp pin
- 644 Guide ring Ø 100 mm
- 645 Guide ring Ø 131 mm
- 646 Screw EC6S 118x90 mm

When ordering, please state type of machine and speed series.



FRAME

- | | |
|-------------------------------------|--------------------------------|
| 900 Frame | 923 Support for scale ring |
| 901 Stator | 924 Screw EC6S M6×10 mm |
| 902 Seal sleeve | 925 Flat spring |
| 903 Switch cover | 926 Scale ring |
| 904 Switch | 927 Screw EC6S M6×10 mm |
| 905 Spindle drill | 928 Spring housing |
| 906 Roller bearing cover | 929 Taper pin |
| 907 Roller bearing 30206 | 930 Crease fitting |
| 908 Chasing wedge | 931 Seeger-lock Sg A 15 |
| 909 Spindle sleeve | 932 Axe for stop lug |
| 910 Screw DIN 7984, M8×12 | 933 Screw EC6S M8×50 |
| 911 Rack | 934 Stop lug |
| 912 Ball bearing 6205 z | 935 Steel ball |
| 913 Locking nut | 936 Spring 937 Screw P655 M8×8 |
| 914 Spindle feed lever | 937 — |
| 915 Handle for feed lever | 938 Screw 1655 M6×19 |
| 916 Spring plug for down-feed lever | 939 Protective shield |
| 917 Spring for ditto | 940 Fan |
| 918 Gear arm | 941 Bearing bracket |
| 919 Return spring | 942 Rack for frame lift |
| 920 Washer | 943 Machine ball |
| 921 Nut M16 | 944 Handle |
| 922 Screw P655 M8×8 | 945 Gear arm for frame lift |



902
 903
 904
 930
 913
 912
 933
 926
 929
 920
 921
 934
 927
 926
 924
 923
 925
 922
 918
 917
 916
 946 Support for locking lever
 947 Secger-lock RS 8
 948 Locking link with journals
 949 Locking arm

901
 900
 943
 944
 946
 951
 947
 950
 952
 948
 949
 938
 945
 953
 941
 940
 939
 919
 914
 915
 950 Nut 3/8"
 951 Stud bolt 127 mm
 952 Washer
 953 Crank

S-53

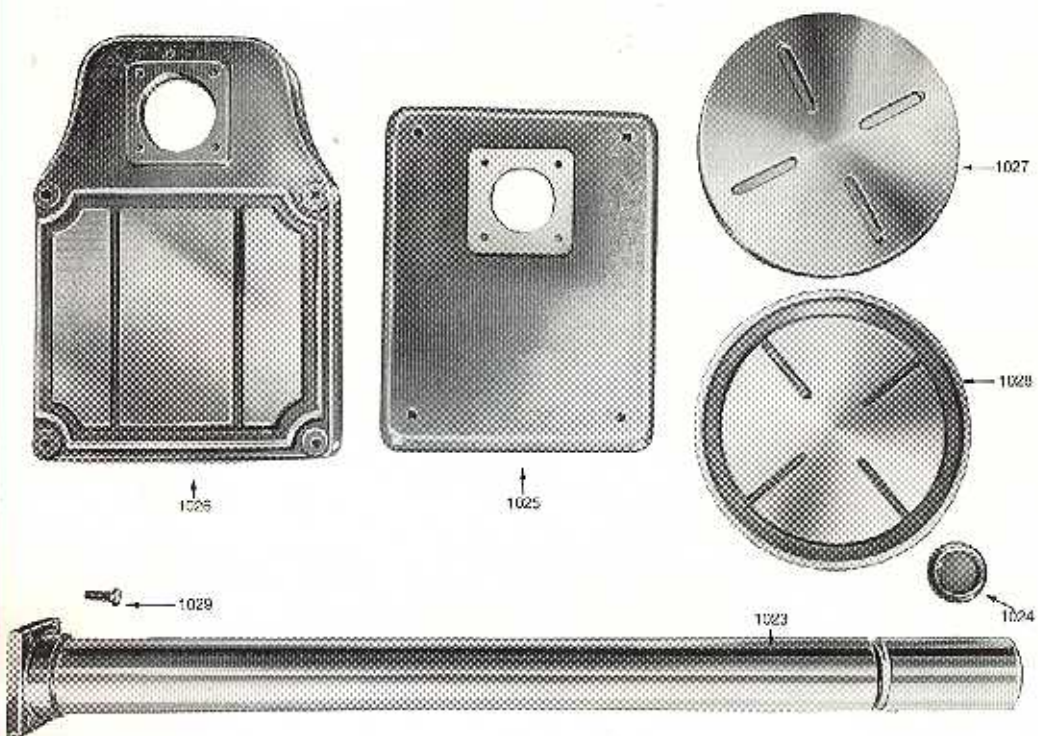


TABLE ARM and PILLAR

- | | | | |
|------|----------------------------|------|--------------------------------------|
| 1000 | Table arm | 1015 | Stud bolt 135 mm |
| 1001 | Gear wheel 177 | 1016 | Support for locking lever |
| 1002 | Axe for ditto | 1017 | Arm for ditto |
| 1003 | Worm screw | 1018 | Machine ball |
| 1004 | Distance ring | 1019 | Set collar |
| 1005 | Crank | 1020 | Screw EC6S M8 x 30 |
| 1006 | Crease fitting | 1021 | Rack |
| 1007 | Ball handle | 1022 | Pillar ring |
| 1008 | Washer for ditto | 1023 | Pillar |
| 1009 | Stud bolt 105 mm | 1024 | Pillar cover |
| 1010 | Nut 3/8" | 1025 | Base plate |
| 1011 | Locking link with journals | 1026 | Base plate with T-slots & oil groove |
| 1012 | Seeger-lock RS 8 | 1027 | Table |
| 1013 | Locking arm | 1028 | Table with T-slots & oil groove |
| 1014 | Washer for ditto | 1029 | Bolt M12 x 40 |

S-53

